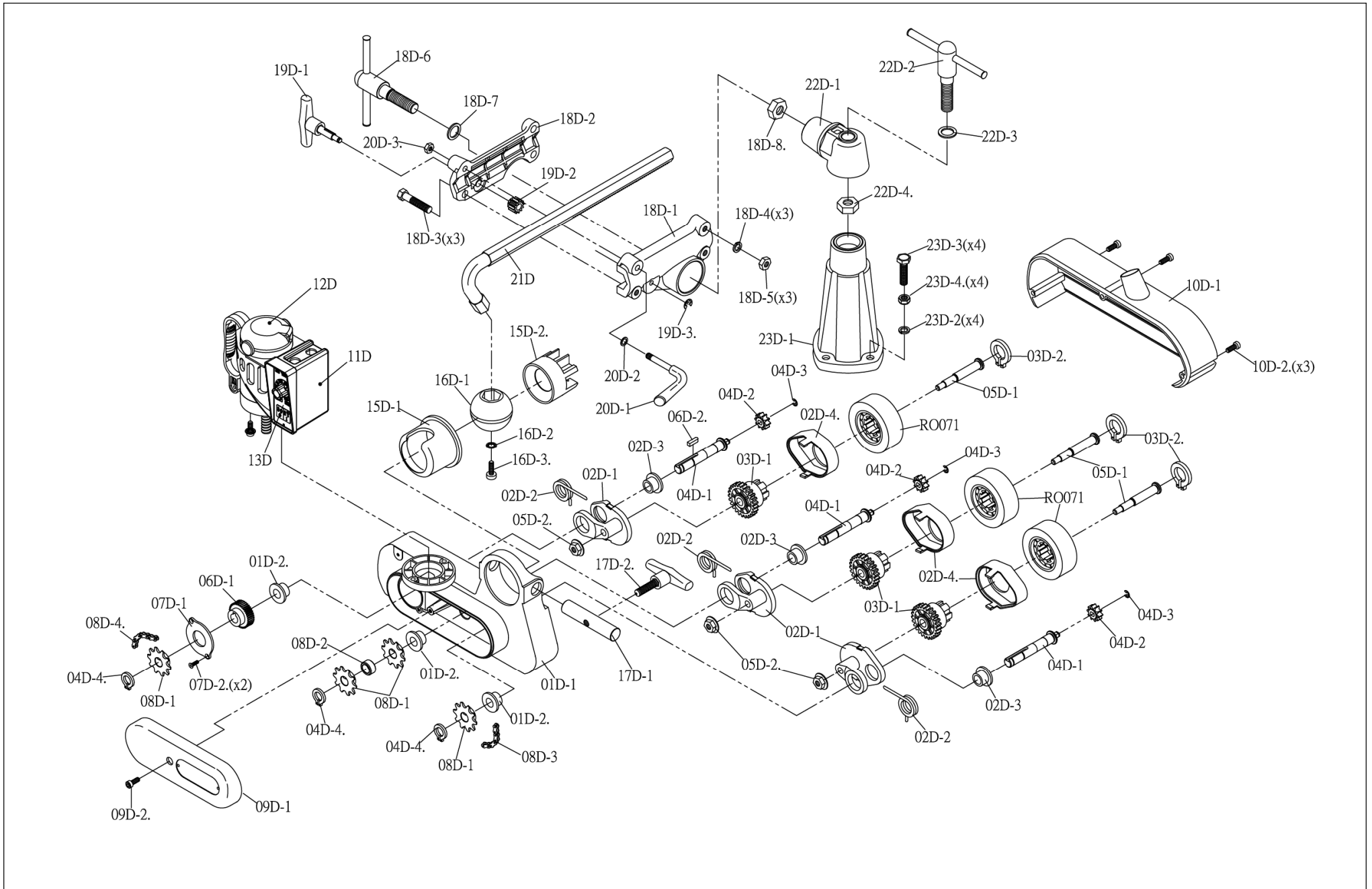


MODEL: M3 BABY FEEDER



Part No.	Code No.	Description	Q'ty	Part No.	Code No.	Description	Q'ty	Part No.	Code No.	Description	Q'ty
01D	01D	Housing Frame Kit	1	08D-1	A500340	Sprocket	4	18D-3	S601050	Hex Screw	3
01D-1	C020338	Housing Frame	1	08D-2	A500341	Bushing	1	18D-4	N030010	Spring Washer	3
01D-2.	A500335	Bushing	3	08D-3	K340018	Chain	1	18D-5	N11010R	Nut	3
02D	02D	Sprocket Case Kit	3	08D-4.	K340024	Chain	1	18D-6	G020015A	Lever	1
02D-1	C020047	Sprocket Case	1	09D	09D	Housing Cover Kit	1	18D-7	N011825	Flat Washer	1
02D-2	N950003	Spring	1	09D-1	U010067	Housing Cover	1	18D-8.	N11016R	Nut	1
02D-3	A500335	Bushing	1	09D-2.	S500515	PH. Screw	1	19D	19D	Extension Handle Kit	1
02D-4.	U010054	Case Cap	1	10D	10D	Roller Cover Kit	1	19D-1	G020016	Setting Handle	1
03D	03D	Gear Kit	3	10D-1	U010006	Roller Cover	1	19D-2	A500338	Pinion	1
03D-1	U010005A	Gear with Bushing	1	10D-2.	S500515	PH. Screw	3	19D-3.	N530005	"E" Clip	1
03D-2.	N510024	Snap Ring	1	11D	11D	Control Box Kit	1	20D	20D	Set-Lever Kit	1
04D	04D	Driving Shaft Kit	3	12D	12D	DC Motor Kit	1	20D-1	G020012	Set-Lever	1
04D-1	G320019	Driving Shaft	1	13D	13D	Control System Kit	1	20D-2	N015816	Flat Washer	1
04D-2	A500001	Gear	1	15D	15D	Ball-Joint Assb.	1	20D-3.	N11008R	Nut	1
04D-3	N530006	"E" Clip	1	15D-1	C020343	Lower Ball-Housing	1	21D	G080001	Overarm	1
04D-4.	N510014	Snap Ring	1	15D-2.	C020342A	Upper Ball-Housing	1	22D	22D	Swivel-Joint Kit	1
05D	05D	Roller Shaft Kit	3	16D	16D	Ball Kit	1	22D-1	C020335	Swivel-Joint	1
05D-1	G320020	Roller Shaft	1	16D-1	U010056	Ball	1	22D-2	G020015A	Lever	1
05D-2.	N12008R	Flange Nut	1	16D-2	N030010	Spring Washer	1	22D-3	N011825	Flat Washer	1
06D	06D	Bevel Gear Kit	1	16D-3.	S901025	Cap Screw	1	22D-4.	N11016R	Nut	1
06D-1	A500339	Bevel Gear	1	17D	17D	Setting Stud Kit	1	23D	23D	Base Kit	1
06D-2.	K420520	Key	1	17D-1	G020017	Stud Spport	1	23D-1	C020340	Base	1
07D	07D	Bevel Gear Cap Kit	1	17D-2.	G020018	Setting Stud	1	23D-2	N030010	Spring Washer	4
07D-1	U010063	Bevel Gear Cap	1	18D	18D	Arm-Bracket Kit	1	23D-3	S601035	Hex Screw	4
07D-2.	S400410	PH. Screw	2	18D-1	C020336	Arm-Bracket Left	1	23D-4.	N11010R	Nut	4
08D	08D	Transmission Ki	1	18D-2	C020337	Arm-Bracket Right	1	RO071	RO071	ROLLER	3